

**BaByliss** PRO  
STYLIST TOOLS



MADE IN ITALY  
**RAPIDO**<sup>TM</sup>  
WITH FERRARI DESIGNED MOTOR

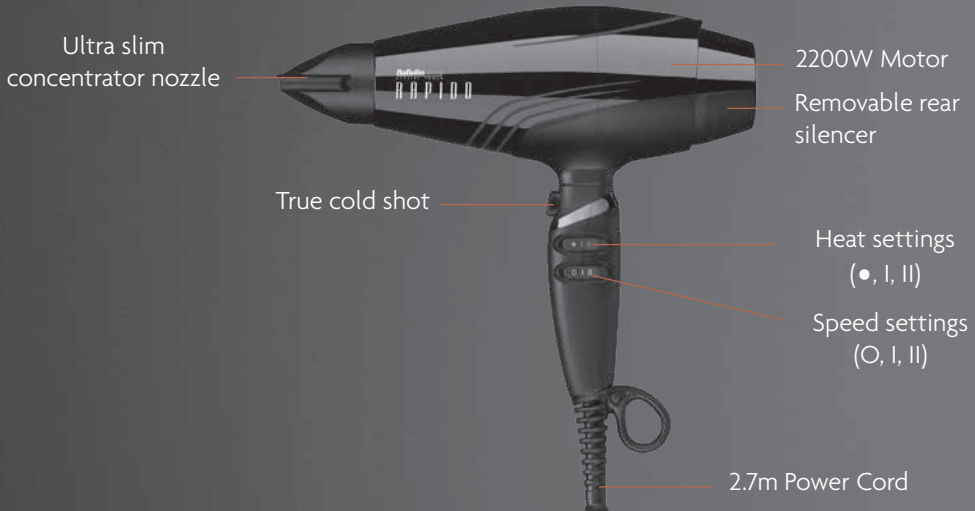
## GETTING TO KNOW YOUR RAPIDO DRYER

The super light, ultra quiet, high-speed RAPIDO dryer with its Pro brushless motor designed in collaboration with Ferrari, gives fast drying with noise reduction for a truly advanced professional experience. Ionic conditioners give a smooth, frizz-free, high shine result.

### FEATURES

- 2200W Brushless motor dryer
- Lightweight
- Ionic conditioning for frizz-free styling
- True cold shot
- Low vibration for quieter operation
- Ultra slim concentrator nozzle
- Removable noise reducing rear filter
- 2.7m Power Cord
- Cotton pouch

## OPERATING FEATURES



## IMPORTANT SAFETY CAUTIONS

- This appliance should only be used as described within this instruction booklet. Please retain for reference.

### IMPORTANT CHILD SAFETY

**WARNING!** Polythene bags over a product or package may be dangerous. To avoid danger of suffocation, keep this wrapper away from babies and children. This bag is not a toy.

### WARNING! THIS APPLIANCE GETS HOT!

- **ALWAYS** keep out of reach of children (during and after use and whilst cooling).
- This appliance should not be

used, cleaned or maintained by children.

- Always take extra care if used on children or near children.
- Do not use on very young children.

### IMPORTANT SAFETY

- **UK Only:** This appliance must not be used in the bathroom. If using the appliance in a bathroom, unplug after use as the proximity of water can be dangerous even if the appliance is switched off. For additional protection the installation of a residual current device (RCD) with a rated residual operating current not exceeding 30mA is advisable in the electrical

circuit supplying the bathroom.  
Ask your installer for advice.

**WARNING!** Do not use this appliance near water contained in basins, bathtubs or other vessels.



- Do not use this appliance in the bathroom.
- Do not immerse the appliance in water or other liquids.
- Never look directly into the barrel of the hairdryer when it is switched on.
- Always inspect the appliance before use for noticeable signs of damage. Do not use if damaged or if the appliance has been dropped. In the event of damage contact the Conair Customer Care Line (refer to 'UK After Sales Service' section for

further information).

- Do not use the appliance if the lead is damaged. In the event of damage contact the Conair Customer Care Line (refer to 'UK After Sales Service' section for further information).
- Do not leave the appliance unattended when switched on or plugged in.
- This unit is equipped with a safety thermostat. In the event of overheating the appliance will either stop automatically or run hot and cold intermittently. Should this happen, switch the airstyler to the "0" position, unplug and allow to cool for 10 minutes. Before use, ensure the rear filter is clear of hair and other debris. Plug in and switch on. If the appliance

continues to overheat discontinue use immediately, switch off and unplug, and contact the Conair Customer Care Line (refer to 'UK After Sales Service' section for further information).

- Take care that the air vents do not become blocked when in use. Make sure the rear filter is clear of hair and other debris before use.
- Do not place the appliance on any heat sensitive surface whilst in operation or whilst the product is cooling.
- Take care to avoid the hot surface of the appliance coming into direct contact with the skin, in particular the ears, eyes, face and neck.
- This appliance should not be used by adults whose reduced physical, sensory or mental capabilities,

or whose lack of experience and knowledge, might cause a hazard, unless they have been correctly instructed to understand the safe use and hazards involved and are adequately supervised.

- After use, do not coil the lead around the appliance as this may cause damage to the lead. Instead, coil the lead loosely by the side of the appliance.
- This appliance complies with the requirements of Directives 2004/108/EC (Electromagnetic Compatibility) and 2006/95/EC (Electrical Safety of Domestic Appliances).

## OPERATING INSTRUCTIONS

The RAPIDO dryer is equipped with a Ferrari designed engine, featuring MaxLife™ PRO brushless technology. Conventional styling tool motors require carbon brushes to operate. Friction eventually wears them down and the motor fails. MaxLife™ PRO technology eliminates the brushes, producing a lighter weight motor that lasts longer – up to 10,000 hours. Rare-earth magnets create an efficient and long-lasting power source within the engine. Sealed ball bearings reduce vibration and help extend the life of the engine.

## DRYING BASICS

1. Shampoo and condition hair. Rinse thoroughly. Towel-blot hair to remove excess moisture. Section hair. Using the dryer along with a styling brush, direct hot air through a section of hair at a time. Move dryer steadily across each section so that the hot air passes through hair. Direct airflow at hair, not scalp.
2. Keep dryer's air intake vents unobstructed and free from hair while drying.
3. To avoid over-drying and possible damage to hair or skin, do not concentrate heat on one section for any length of time. Keep dryer moving as you style.
4. When using the dryer to create curls and waves, dry hair almost completely on a warmer temperature setting, then finish styling with cooler air.
5. This dryer includes concentrator attachments. Use the attachments when you need drying power in a small area (such as a curl or a wave), or when you want to relax curly hair.



## WARNING

This professional dryer is equipped with a true cold shot button. Do NOT use with the air inlet against hair, or damage will be caused to internal parts.

Never block the air openings of the appliance. Keep the filter intake free of buildup from lint, hair and other debris by cleaning regularly.

Allowing the filter to become blocked will decrease performance, shorten the life of the dryer, and risk voiding the warranty.



## NEGATIVE ION GENERATOR

The RAPIDO dryer has a central negative ion generator that generates an exceptional volume of millions of ions per  $\text{cm}^3$ . Hair is naturally positively charged; this positive charge is increased during drying and generates static electricity, which causes the scales of the hair to move away from each other. The surface of hair thus becomes rough and takes on a lifeless appearance. The negative ions generated by this hair dryer will neutralize the positive charge and, in this way, remove any static electricity in the hair. Hair is shiny and easy to style. It has been proven that ionic technology acts as a catalyst for hair products.

## LIGHTWEIGHT AND ERGONOMIC

The RAPIDO dryer has an ergonomic handle for complete comfort during use. Its light weight and ideal balance make it perfect for the salon.

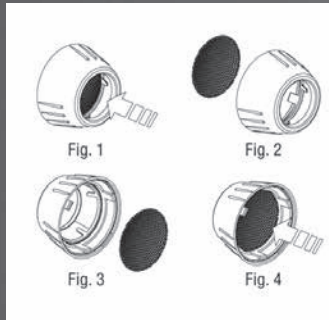
## CLEANING AND MAINTENANCE

The dryer must be kept clean for proper operating performance. When cleaning is needed, unplug the cord, allow to cool and clean dust and lint from air intake openings with a small brush or the brush attachment of a vacuum cleaner. The outer surface of the dryer should be wiped clean with a cloth only.

Blocked or clogged air intake vents will cause the dryer to overheat. If overheating occurs, an automatic safety device will shut the dryer or the heat off to prevent damage or personal injury. If the unit or the heat cycles off, turn the dryer off, unplug the cord, and allow the dryer to cool for 10 to 15 minutes before restarting. Make sure air vents are clean, by following below steps:

1. Remove intake filter from back of dryer by twisting counterclockwise.
2. Reach through opening, and press the mesh screen to release it from the filter (Fig. 1).
3. Visually inspect the filter to make sure no hair is caught (Fig. 2). Rinse the mesh screen **ONLY** under running water to clear any debris. Repeat as needed, or use a stiff bristle brush for any difficult build-up.

4. Make sure the mesh screen is free from any debris and completely dry. Place screen into bottom part of removable intake filter (Fig. 3).
5. Press with your finger around the edge of the screen to lock mesh screen in place (Fig. 4).



## UK GUARANTEE

This BaByliss PRO appliance is guaranteed for salon use for 2 years.

This guarantee covers defects under normal use from date of purchase and ceases to be valid in the event of alteration or repair by unauthorised persons. If the appliance does not perform satisfactorily due to defects in materials or manufacture, it will be repaired or replaced through Conair UK After Sales Service. The Conair Group Ltd reserves the right to amend terms and specifications without prior notice.

This guarantee in no way affects your statutory rights.

## UK AFTER SALES SERVICE

For further advice on using the appliance or should you need to return your product, please contact the Conair Customer Care Line on 03705 133191 (09:00 to 17:00 Monday to Friday) or email your enquiry to [ukinfo@conair.com](mailto:ukinfo@conair.com).


The return address is:

Customer Care Centre,  
Conair Logistics  
Unit 4, Revolution Park  
Buckshaw Avenue  
Buckshaw Village  
Chorley  
PR7 7DW

Please enclose your returns number, name and address details, together with a copy of proof of purchase and details of the fault.

## SAFE DISPOSAL



The  symbol on the product or on its packaging indicates that this product may not be treated as household waste. Instead it should be handed to an appropriate collection point for the recycling of Electrical and Electronic equipment. By ensuring this product is disposed of correctly, you will help prevent potential negative consequences for the environment and human health, which could otherwise be caused by inappropriate waste handling of this product. For more detailed information about the recycling of this product, please contact your local council office or your household waste disposal service.

## UK WIRING INSTRUCTIONS

The wires in the mains lead are coloured in accordance with the following code:

BLUE = NEUTRAL

BROWN = LIVE

As the colours of the wire in the mains lead of this appliance may not correspond with the colour marking identifying the terminals on your plug, proceed as follows:

- The wire which is coloured BLUE must be connected to the terminal which is marked with the letter N.
- The wire which is coloured BROWN must be connected to the terminal which is marked with the letter L.
- Neither the BLUE nor BROWN wires should be connected to the terminal which is marked with the letter E or the  $\oplus$  symbol.

This appliance is supplied fitted with a BS1363 mains plug and a BS1362 13A fuse. If this plug is removed from the appliance please ensure it is disposed of safely as a disconnected plug is dangerous if reconnected to the mains. If any other type of plug is used, a 13A fuse must be fitted.









*BaByliss*<sup>®</sup> **PRO**  
STYLIST TOOLS